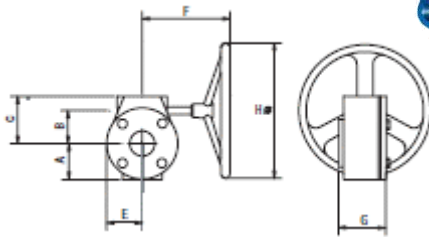
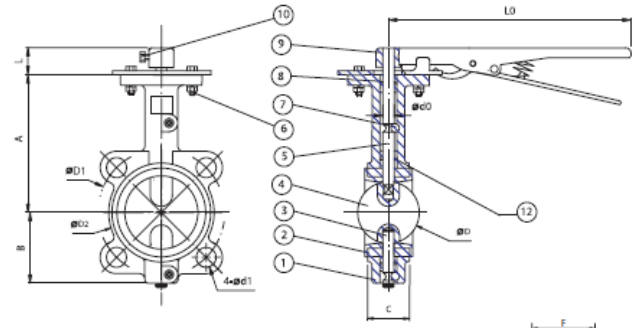


## T1 Wafer Style Slim Disc Design Butterfly Valve

- High quality
- Low cost
- 1600kPa rating
- 316SS slim-style disc
- Proven cartridge-style seat
- Dimensions to BS5155
- Lockable lever & 10 position notchplate



**Gear Box dimensions**

Size	A	B	C	E	F	G	H
50 - 150	52	45	74	52	152.5	75	150
200 - 250	75	62.8	101	75	250	86	300
300	81	80	118	81	227	83	300

**Parts List**

Item	Name	Material
1	Body	Cast Iron
2	Seat	EPDM
3	Stem	SS431
4	Disc	CF8M
5	Stem	SS431
6	Bolt / Nut	C. steel
7	Pin	C. steel
8, 12	Bushes, O'rings	f/glass- pipe, NBR
9	lever or gear operator	Cast Iron
10	Bolt	C. steel

**Dimensions - T1 Butterfly Valves (mm)**

Size (mm)	A	B	C	D	D2	d0	L	K	E	d	D1	d1	p	LO
50	161	80	43	52.9	118	12.6	32	77	50	7	114	18	10	267
65	175	89	46	64.5	137	12.6	32	77	50	7	127	18	10	267
80	181	95	46	78.8	143	12.6	32	77	50	7	146	18	10	267
100	200	114	52.1	104	156	15.77	32	90	70	9	178	18	12	267
125	213	127	56	123.3	190	18.92	32	90	70	9	210	18	14	267
150	226	139	56	155.6	212	18.92	32	90	70	9	235	22	14	267
200	260	175	60.6	202.5	268	22.1	45	125	102	14	292	22	17	353
250	292	203	65.6	250.5	325	28.45	45	125	102	14	356	22	22	353
300	337	242	76.9	301.6	403	31.6	45	150	102	14	406	26	24	353

Antec provides the information contained in this brochure as a guide only for your information. Antec has taken reasonable care to ensure the accuracy of the material but you should not rely on the whole or part of the information. Antec expressly disclaims all liability whatsoever for (including any direct or indirect loss or damage, costs or expenses howsoever incurred by any person) or reliance on the whole or part of the information contained in or omitted from this brochure. Antec recommends that you verify any information regarding products with your independent expert adviser and rely solely on that adviser's recommendations.

Free call: 1300 55 34 73

Web: [www.antec.com.au](http://www.antec.com.au)

Email: [anteceng@antec.com.au](mailto:anteceng@antec.com.au)

**NSW (Head Office)**

9 Chicago Avenue  
Blacktown NSW 2148  
P: +61 2 9622 9622  
F: +61 2 9622 9199

**VICTORIA**

90 Turner Street  
Port Melbourne VIC 3207  
P: +61 3 8645 3222  
F: +61 3 9646 7945

**QUEENSLAND**

5/429 Creek Road  
Mt Gravatt QLD 4122  
P: +61 7 3420 4099  
F: +61 7 3420 4033

**SOUTH AUSTRALIA**

70 Grand Junction Road  
Kilburn SA 5084  
P: +61 8 8304 7543  
F: +61 8 8304 7544

**WESTERN AUSTRALIA**

2/17 Baile Road  
Canning Vale WA 6155  
P: +61 8 6350 9600  
F: +61 8 6350 9601