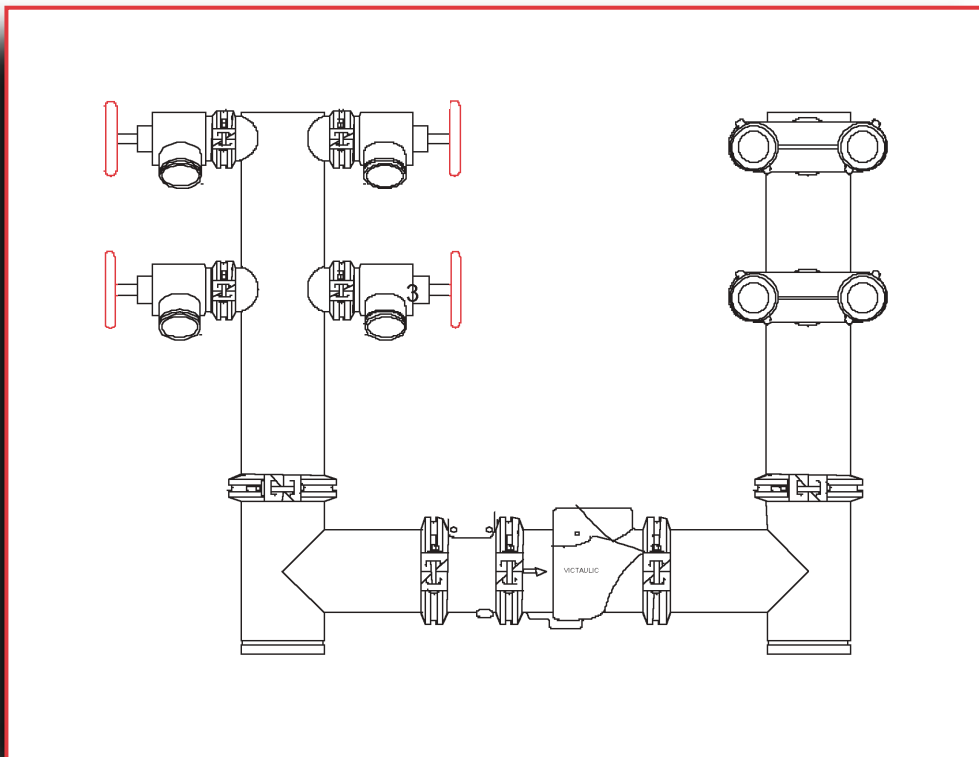


Fabricated Products



OneSteel Building Services currently supply the following fabricated products:

	Page
• Roll Grooved mechanical fittings	
• Caps.....	1
• Elbows.....	1
• Flange Adaptors	2
• Tees.....	2
• Screw Adaptors.....	2
• Hydrant Hose Reel Tees	
• End Run.....	3
• Front Outlet	4
• Side Outlet.....	4
• Hose Reel Adaptors	4
• Booster Bodies.....	5
• Hydrant Risers.....	6
• Suction Headers.....	6
• Droppers.....	6
• Hanging Brackets	7
• Profile Branches.....	8
• Profile Sockets.....	8
• Floor Penetrating Elbows.....	9
• P.R.V.T.M. Units.....	9
• “H” Pattern Boosters.....	9

OneSteel Building Services locations are also able to access the following services in their endeavour to provide you, the customer, with a tailor-made piping solution;

- Roll Grooving pipe fittings and pipe lengths up to 6.5 metres (longer lengths by agreement)
- Shouldering pipe fittings and pipe lengths up to 6.5 metres (longer lengths by agreement)
- Flanging pipe fittings and pipe lengths up to 6.5 metres (longer lengths by agreement)
- Screw Cutting pipe fittings and pipe lengths up to 6.5 metres (longer lengths by agreement)
- Pipe Profiling
- Copper Pipe work, silver soldering of brass fittings etc.
- Bending (fittings only)

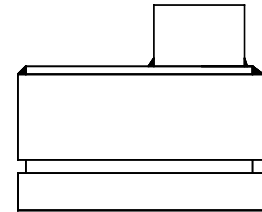
If you can't find what you need in the following pages, then give OneSteel Building Services a call because if you can imagine it, they can probably make it.

Roll Grooved Fittings

1.0 Roll Grooved Caps

Complete with a 25NB BSP Female socket these caps are fabricated from AS1074 medium pipe and zinc electroplated.

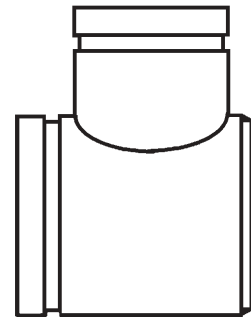
Code	Main ²	Outlet ³
FKG-CAP-60-F	50 R	25 F
FKG-CAP-76-F	65 R	25 F
FKG-CAP-88-F	80 R	25 F
FKG-CAP-114-F	100 R	25 F
FKG-CAP-165-F	150 R	25 F



2.0 Roll Grooved Reducing Elbow

These fabricated 90degree elbows are made from two pieces of AS1074 medium pipe hot dip galvanised.

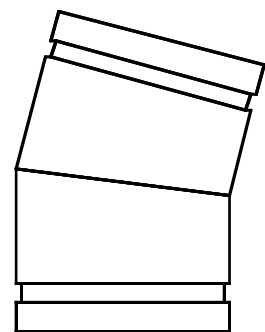
Code	Main	Outlet
FKG-ER-88-76-F	80 R	65 R
FKG-ER-114-88-F	100 R	80 R



3.0 Roll Grooved Elbows

OneSteel Building Services can manufacture virtually any degree elbow. The following are manufactured using AS1074 medium pipe, hot dip galvanised and mitre cut.

Code	Size	Degree
FKG-E15-88-F	80 R	15
FKG-E15-114-F	100 R	15
FKG-E15-165-F	150 R	15
FKG-E22-114-F	100 R	22.5
FKG-E22-219-F	200 R	22.5
FKG-E30-88-F	80 R	30
FKG-E30-114-F	100 R	30
FKG-E30-165-F	150 R	30
FKG-E45-114-F	100 R	45



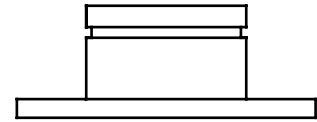
² R = Roll Grooved End

³ F = Female BSP Thread

4.0 Roll Grooved Flange Adaptors

Made from AS1074 medium pipe and hot dip galvanised, these flange adaptors can be made to order in any length or style flange you require. Standard length is 80mm from end to flange face.

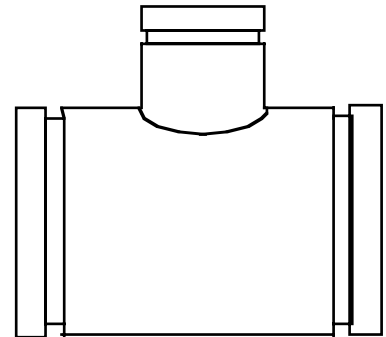
Code	Size	Flange
FKG-FA-78DE-F	65 R	D/E
FKG-FA-88DE-F	80 R	D/E
FKG-FA-114E-F	100 R	E
FKG-FA-114D-F	100 R	D
FKG-FA-165E-F	150 R	E
FKG-FA-219E-F	200 R	E



5.0 Roll Grooved Tees

Made from AS1074 medium pipe, hot dip galvanised.

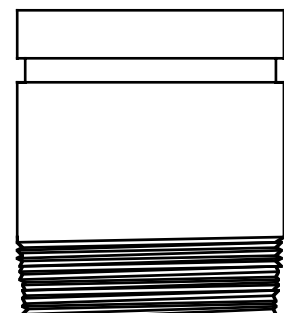
Code	Run	Outlet
FKG-TEE-88-42-F	80 R	32 R
FKG-TEE-88-60-F	80 R	50 R
FKG-TEE-88-76-F	80 R	65 R
FKG-TEE-114-42-F	100 R	32 R
FKG-TEE-114-60-F	100 R	50 R
FKG-TEE-114-76-F	100 R	65 R
FKG-TEE-114-88-F	100 R	80 R
FKG-TEE-165	150 R	150 R
FKG-TEE-165-42-F	150 R	32 R
FKG-TEE-165-60-F	150 R	50 R
FKG-TEE-165-76-F	150 R	65 R
FKG-TEE-165-88-F	150 R	80 R
FKG-TEE-165-114-F	150 R	100 R
FKG-TEE-219-42	200 R	32 R
FKG-TEE-219-60	200 R	50 R
FKG-TEE-219-114-F	200 R	100 R
FKG-TEE-219-165-F	200 R	150 R
FKG-TEE-323-219-F	300 R	200 R



6.0 Roll Grooved Screw Adaptor

Made from AS1074 galvanised or black electro plated pipe.

Code	Size	Length
FKG-SA-42-F	32 R	100mm
FKG-SA-48-F	40 R	100mm
FKG-SA-60-F	50 R	100mm
FKG-SA-76-F	65 R	100mm
FKG-SA-88-F	80 R	150mm
FKG-SA-114-F	100 R	150mm
FKG-SA-165-F	150 R	150mm



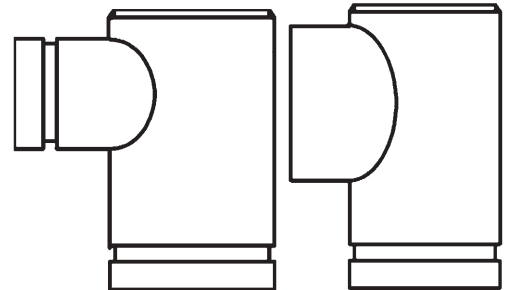
Hydrant Hose Reel Tees

Made from AS1074 medium pipe, hot dip galvanised.

1.0 End Run

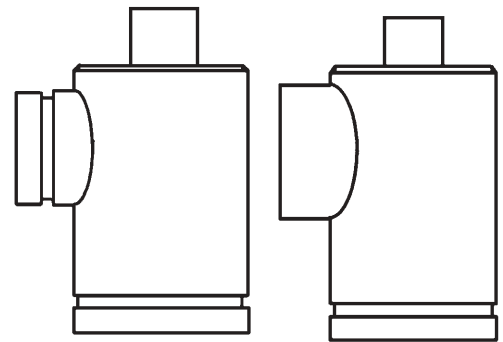
1.1 Single Outlet

Code	Main	Outlet
FKG-HERT-88-F	80 R	65 F
FKG-HERT-114-F	100 R	65 F
FKG-HRERTV-88-F	80 R	50 R
FKG-HRERTV-114-F	100 R	50 R



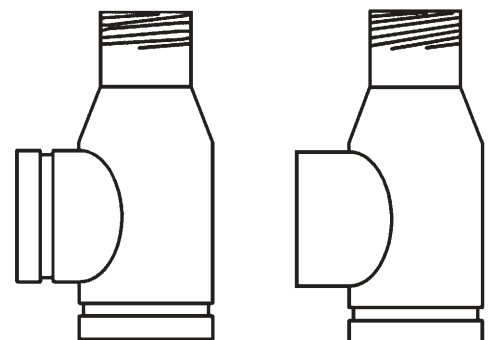
1.2 Double Outlet

Code	Main	Outlet	Top
FKG-HHRERT-88-F	80 R	65 F	25 F
FKG-HHRERT-114-F	100 R	65 F	25 F
FKG-HHRERT-165-F	150 R	65 F	25 F
FKG-HHRERT-114-88-F	100 R	80 R	25 F



1.3 Victorian Double Outlet

Code	Main	Outlet	Top ⁴
FKG-HHRERTV-88-F	80 R	65 F	50 M
FKG-HHRERTV-114-F	100 R	65 F	50 M
FKG-HHRERTV-88-60-F	80 R	50 R	50 M
FKG-HHRERTV-114-88-F	100 R	80 R	50 M



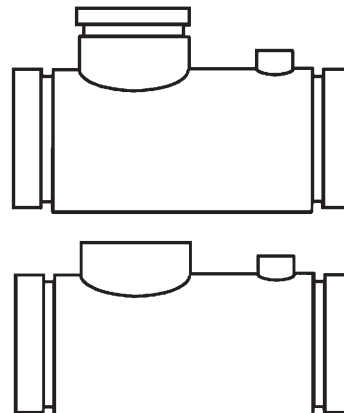
⁴ M = Male BSP Thread

Hydrant Hose Reel Tees

Made from AS1074 medium pipe, hot dip galvanised.

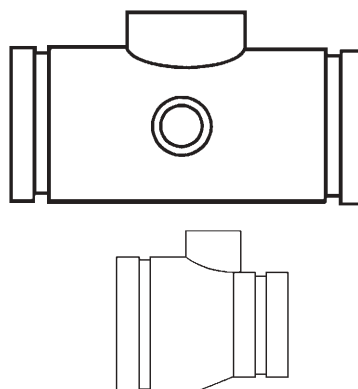
2.0 Front Outlet

Code	Main	Outlet	Outlet
FKG-HHRTF-114-F	100 R	65 F	25 F
FKG-HHRTF-165-F	150 R	65 F	25 F
FKG-HHRTF-114-88-F	100 R	80 R	25 F
FKG-HHRTF-165-88-F	150 R	80 R	25 F



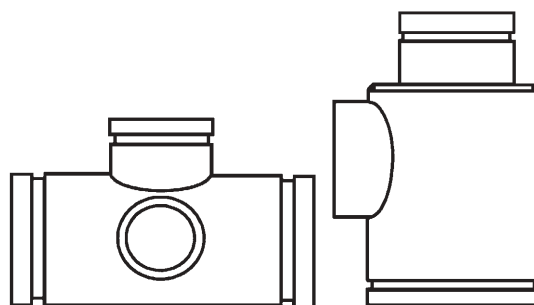
3.0 Side Outlet

Code	Main	Outlet	Outlet
FKG-HHRTS-88-F	80 R	65 F	25 F
FKG-HHRTS-114-F	100 R	65 F	25 F
FKG-HHRTS-114-88-25F	100 R	80 R	25 F



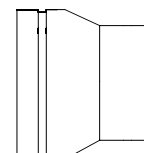
3.1 Victorian Side Outlets

Code	Main	Outlet	Outlet
FKG-HHRTVS-88-F	80 R	50 R	65 F
FKG-HHRTVS-114-F	100 R	50 R	65 F
FKG-HHRTVS-114-114-F	100 R	80 R	50 F



Hose Reel Adaptors

Code	Main	Outlet
FKG-HRA-88-F	80 R	65 F
FKG-HRA-114-F	100 R	65 F



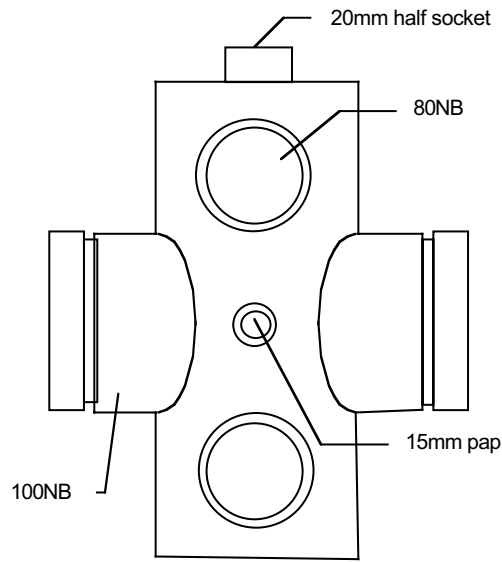
Booster Bodies

Supplied to branches galvanised, supplied to market powder coated red.

FFS-BB100

100NB roll grooved booster body with 2 x 80NB roll grooved inlets, complete with gauge ports and cap retaining lug. Hot dip galvanised.

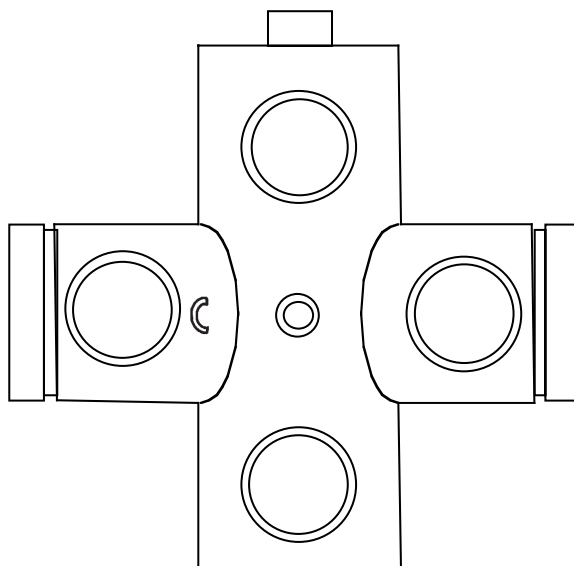
Price:



FFS-BB150

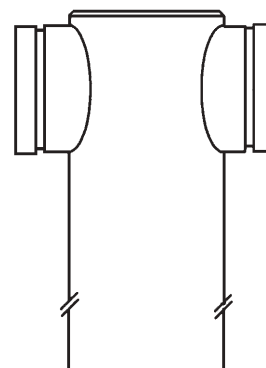
150NB roll grooved booster body with 4 x 80NB roll grooved inlets, complete with gauge ports and cap retaining lug. Hot dip galvanised.

Price:



Hydrant Risers

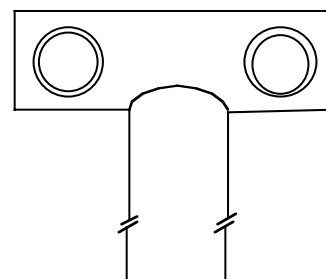
Code	Size	Outlet	Length
FKG-HR-114-65-F	100 R	65 M	1.625M
FKG-HR-11-80-F	100 R	80 R	1.625M
FKG-HR-114-65-21-F	100 R	65 M	2.100M
FKG-HR-114-80-21-F	100 R	80 R	2.100M
FKG-HR90-114-80-F	100 R	80 R	1M
FKG-HRS-114-88-F	100 R	80 R	245mm



Suction Headers

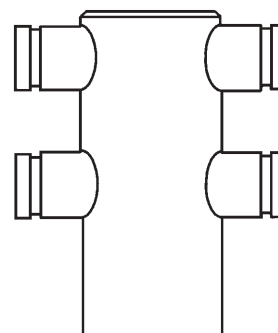
1.0 Dual Suction Header

Code	Size	Outlets
FKG-SH2-114-F	100	80 R



2.0 Quad Suction Header

Code	Size	Outlets
FKG-SH4-165-F	150	80 R
FKG-SH4-165-90D-F	150	80 R



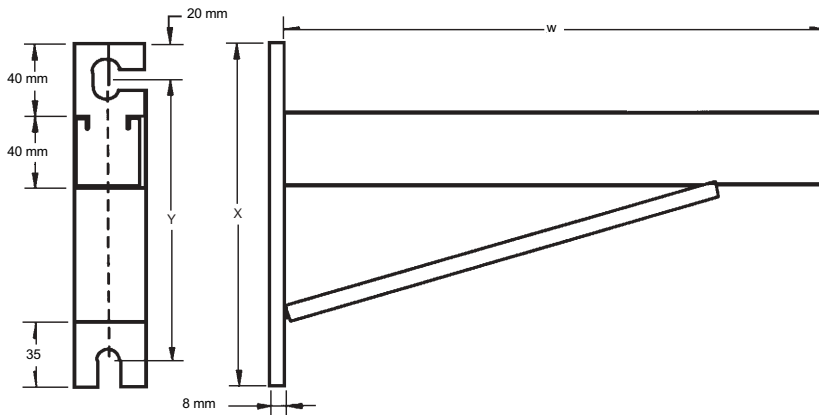
Droppers

Sprinkler Head Droppers are made from 25NB Medium Painted Pipe and 15 BSP Heavy Duty PAPS. They are also available with 10 and 20NB BSP PAPS and in 20NB painted pipe. Special lengths available.

Code	Size	Length
FSP-DROP-15/25-600	15/25	600mm
FSP-DROP-15/25-900	15/25	900mm
FSP-DROP-15/25-1200	15/25	1200mm
FSP-DROP-15/25-1500	15/25	1500mm
FSP-DROP-15/25-1800	15/25	1800mm
FSP-DROP-15/25-2000	15/25	2000mm



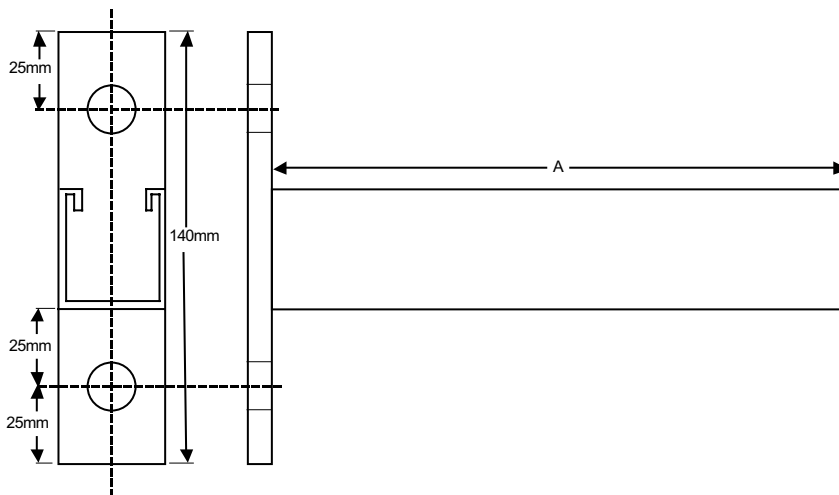
Hanging Brackets



1.0 PCL Hanging Bracket

Made with 40 x 8 flat bar and P1000 channel, hot dip galvanised.

Code	W	X	Y
FXG-PCL150	320	190	160
FXG-PCL300	470	190	160
FXG-PCL450	635	240	210
FXG-PCL600	780	240	210



2.0 P2663 Hanging Bracket

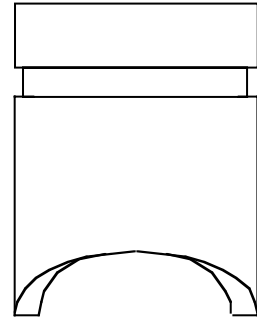
Made from 40 x 8 flat bar and P1000 channel, hot dip galvanised.

Code	Height	Width A
FXG-P2663-250	140	250
FXG-P2663-400	140	400
FXG-P2663-550	140	550
FXG-P2663-700	140	700

Profile Branches

Made from AS1074 medium black pipe.
Available with Roll Grooved, Plain (PBPS) or Screwed Ends (PBSS).

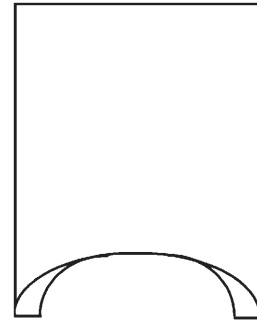
Code	Run Size Range
FSB-PBGS-32-	32 - 100
FSB-PBGS-40-	40 - 65
FSB-PBGS-50-	50 - 150
FSP-PBGS-65-	65 - 150
FSB-PBGS-80-	80 - 150
FSB-PBGS-100-	100 - 200
FSB-PBGS-150-	150 - 200



Profile Sockets

Made from long full or standard length sockets.
Square cut.

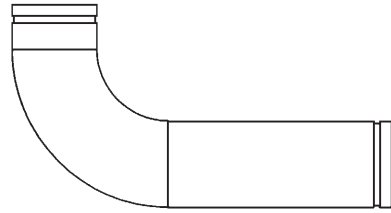
Code	Run Size Range
FSB-PSS-25-	25 - 150
FSB-PSS-32-	32 - 150
FSB-PSS-40-	40 - 200
FSB-PSS-50-	50 - 200
FSP-PSS-65-	65 - 300
FSB-PSS-80-	80 - 150
FSB-PSS-100-	100 - 150



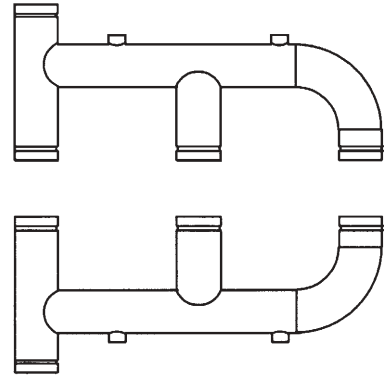
Floor Penetrating Elbows

In 100nb and 150nb

P.R.V.T.M. Units

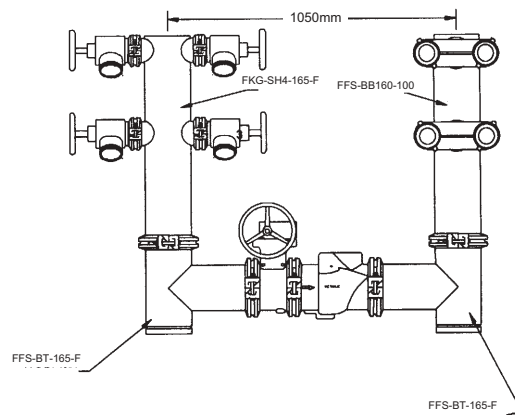
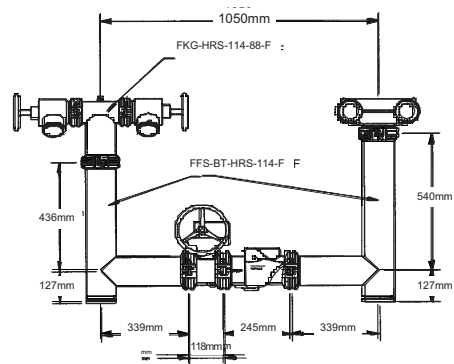


All sizes available from 25nb



“H” Pattern Boosters

STATE	PRODUCT CODE	SIZE
N.S.W Vic S.A	FKG-HRS-114-88-F FFS-BT-HRS-114-F	100N B
W.A	FKG-HRE-114-88-F FFS-BT-HRE-114-F	100N B
QLD	FKG-HRS-114-88-F FFS-BTQ-HRS-114-F	100N B
N.S.W. VIC S.A. W.A.	FFS-BT-165-F FFS-BB150-100 FKG-SH4-165-F	150N B
QLD	FFS-BTQ-165-F FFS-BB150-100 FKG-SH4-165-F	150N B



Available From:



NSW (Head Office)	9 Chicago Avenue, Blacktown	Ph: 02 9622 9622
VICTORIA	90 Turner Street, Port Melbourne	Ph: 03 8645 3222
QUEENSLAND	5/429 Creek Road, Mt Gravatt	Ph: 07 3420 4099
SOUTH AUSTRALIA	70 Grand Junction Road, Kilburn	Ph: 08 8304 7543
WEST AUSTRALIA	2/17 Baile Road, Canning Vale	Ph: 08 6350 9600

Freecall: 1300 55 34 73

Web: antec.com.au

This information is provided for your assistance. However we are obliged to draw your attention to the following: Antec provides the information contained in this brochure as a guide only for your information. Antec has taken reasonable care to ensure the accuracy of the material but you should not rely on the whole or any part of the information. Technology is changing rapidly and product specifications and or manufacturing techniques may have changed since the first publication date of this document. Antec expressly disclaims all liability whatsoever for (including any direct or indirect loss or damage, costs or expenses howsoever incurred by any person) or reliance on the whole or any part of the information contained in or omitted from this brochure. Antec recommends that you verify any information regarding products with your independent expert adviser and rely solely on that adviser's recommendations.

All trademarks are property of their respective owners