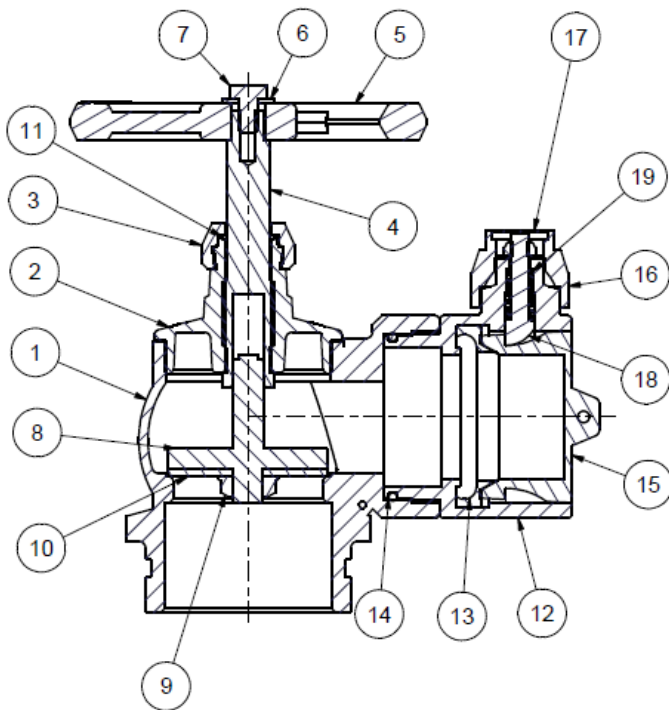
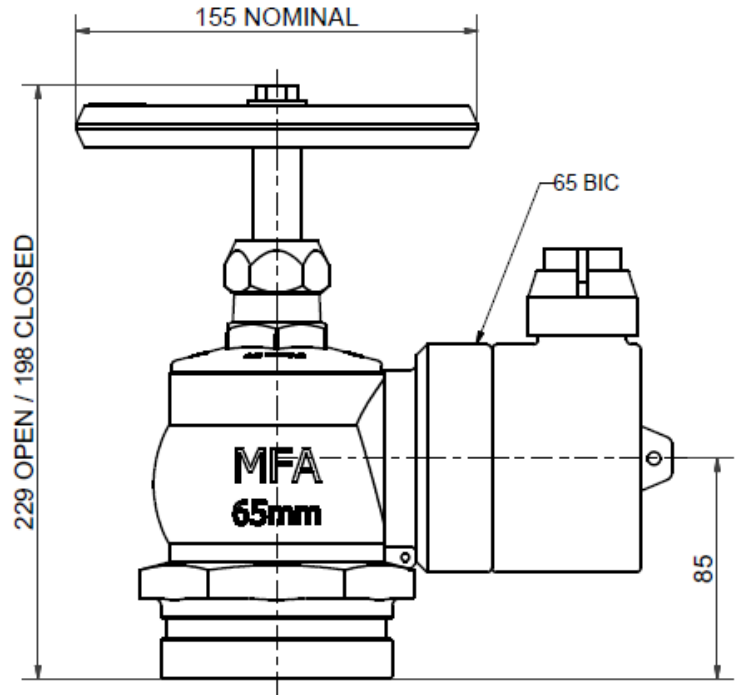
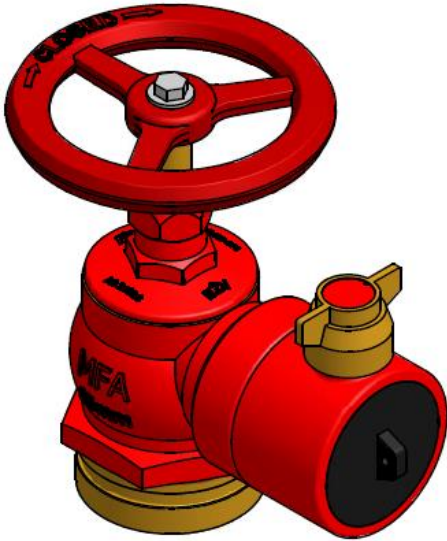


Storz Roll Grooved Landing Valve



PARTS LIST		
ITEM	QTY	DESCRIPTION
1	1	FS00922 Body
2	1	Cover
3	1	Cover Nut
4	1	Spindle
5	1	Wheel Handle
6	1	Washer
7	1	M8 Set Screw
8	1	Seat
9	1	Nut Jumper Valve
10	1	Washer Jumper Valve
11	1	Cover Nut O-Ring
12	1	BIC Body
13	1	BIC Seal
14	1	BIC O-Ring
15	2	BIC Cap
16	3	Twist Grip
17	1	Plug
18	1	Plunger
19	1	Plunger Spring

Free call: 1300 55 34 73

Web: www.antec.com.au

Email: anteceng@antec.com.au

NSW (Head Office)

9 Chicago Avenue
Blacktown NSW 2148
P: +61 2 9622 9622
F: +61 2 9622 9199

VICTORIA

90 Turner Street
Port Melbourne VIC 3207
P: +61 3 8645 3222
F: +61 3 9646 7945

QUEENSLAND

5/429 Creek Road
Mt Gravatt QLD 4122
P: +61 7 3420 4099
F: +61 7 3420 4033

SOUTH AUSTRALIA

70 Grand Junction Road
Kilburn SA 5084
P: +61 8 8304 7543
F: +61 8 8304 7544

WESTERN AUSTRALIA

2/17 Baile Road
Canning Vale WA 6155
P: +61 8 6350 9600
F: +61 8 6350 9601