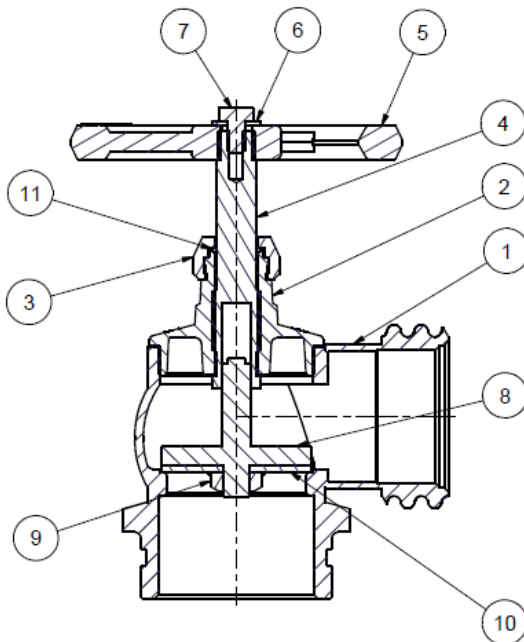
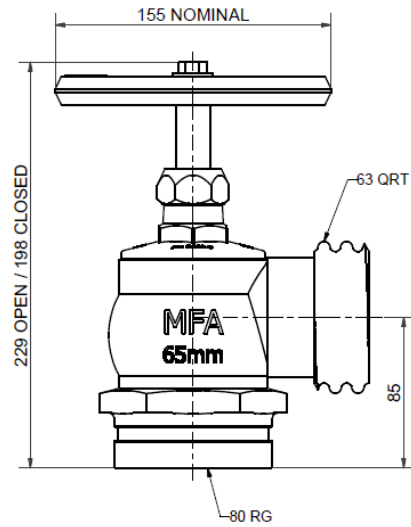
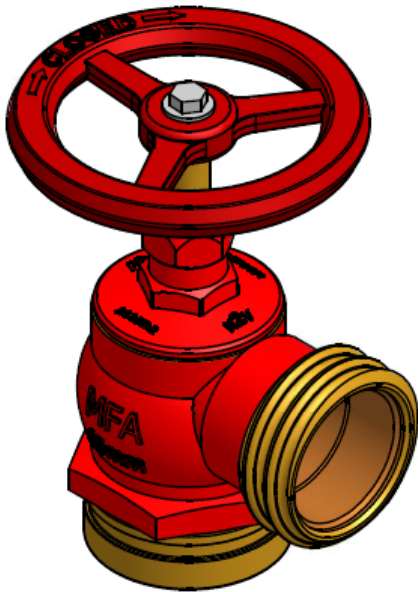


## QRT Roll Grooved Landing Valve



PARTS LIST		
ITEM	QTY	DESCRIPTION
1	1	FS00292 Body
2	1	Cover
3	1	Cover Nut
4	1	Spindle
5	1	Wheel Handle
6	1	Washer
7	1	M8 Set Screw
8	1	Seat
9	1	Nut Jumper Valve
10	1	Washer Jumper Valve
11	1	Cover Nut O-Ring

Free call: 1300 55 34 73

Web: [www.antec.com.au](http://www.antec.com.au)

Email: [anteceng@antec.com.au](mailto:anteceng@antec.com.au)

### NSW (Head Office)

9 Chicago Avenue  
Blacktown NSW 2148  
P: +61 2 9622 9622  
F: +61 2 9622 9199

### VICTORIA

90 Turner Street  
Port Melbourne VIC 3207  
P: +61 3 8645 3222  
F: +61 3 9646 7945

### QUEENSLAND

5/429 Creek Road  
Mt Gravatt QLD 4122  
P: +61 7 3420 4099  
F: +61 7 3420 4033

### SOUTH AUSTRALIA

70 Grand Junction Road  
Kilburn SA 5084  
P: +61 8 8304 7543  
F: +61 8 8304 7544

### WESTERN AUSTRALIA

2/17 Baile Road  
Canning Vale WA 6155  
P: +61 8 6350 9600  
F: +61 8 6350 9601