



# Series 2000SS

## Double Check Valve Assemblies

Sizes: 2½" – 12" (65 – 300mm)

### Features

- Patented Cam-Check Assembly provides low head loss
- Short lay length is ideally suited for retrofit installations
- Stainless Steel body is half the weight of competitive designs reducing installation and shipping cost
- Stainless steel construction provides long term corrosion protection and maximum strength
- Single top access cover with two-bolt grooved style coupling for ease of maintenance
- No special tools required for servicing
- Compact construction allows for smaller vaults and enclosures
- May be installed in horizontal or vertical "flow up" position

### Available Models

Suffix:

NRS – non-rising stem resilient seated gate valves

OSY – UL/FM outside stem and yoke resilient seated gate valves

\*OSY FxG – flanged inlet gate connection and grooved outlet gate connection

\*OSY GxF – grooved inlet gate connection and flanged outlet gate connection

\*OSY GxG – grooved inlet gate connection and grooved outlet gate connection

LG – less gates

Available with grooved NRS gate valves - consult factory\*

Post indicator plate and operating nut available – consult factory\*

\*Consult factory for dimensions

### Materials

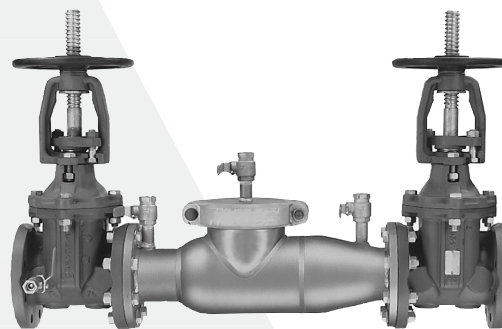
All internal metal parts: 300 Series stainless steel

Main valve body: 300 Series stainless steel

Check assembly: Noryl®

Flange dimension in accordance with AWWA Class D

Noryl® is a registered trademark of General Electric Company.



2000SS

Series 2000SS Double Check Valve Assemblies are designed to prevent the reverse flow of polluted water from entering into the potable water system. This series can be applied, where approved by the local authority having jurisdiction, on non-health hazard installations. Features short end-to-end dimensions, lightweight stainless steel body, and low head loss.

### Specifications

A Double Check Valve Assembly shall be installed at each noted location to prevent the unwanted reversal of polluted water into the potable water supply. The main valve body shall be manufactured from 300 series stainless steel to provide corrosion resistance, 100% lead free through the waterway. The double check shall consist of two independently operated spring loaded cam-check valves, required test cocks, and optional inlet and outlet resilient seated shutoff valves. Each cam-check shall be internally loaded and provide a positive drip tight closure against the reverse flow of liquid caused by backsiphonage or backpressure. The modular cam-check includes a stainless steel spring and cam-arm, rubber faced disc and a replaceable seat. There shall be no brass or bronze parts used within the cam-check valve assembly. The valve cover shall be held in place through the use of a single grooved style two-bolt coupling. The main assembly shall consist of two independently operating torsion spring check assemblies, two resilient seated isolation valves, and four ball valve type test cocks. The assembly shall be an Ames Company Series 2000SS.

### Pressure — Temperature

Temperature Range: 33°F – 110°F (5°C – 43°C)

Maximum Working Pressure: 175psi (12.06 bar)

### Standards

AWWA C510-92, CSA B64.5

### Approvals



1015 (OSY ONLY)



For 12" approvals consult factory

Job Name \_\_\_\_\_ Contractor \_\_\_\_\_

Job Location \_\_\_\_\_ Approval \_\_\_\_\_

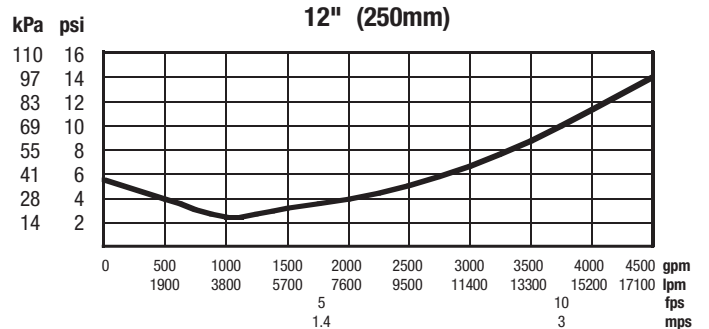
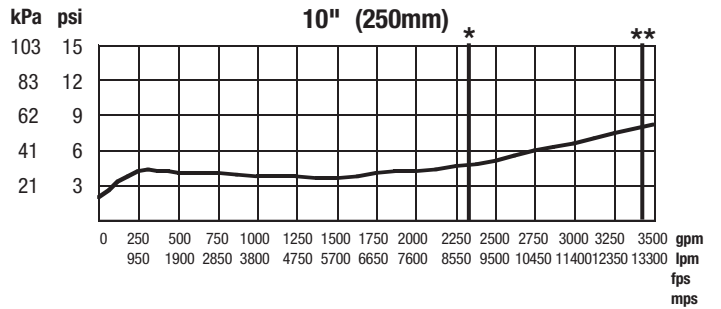
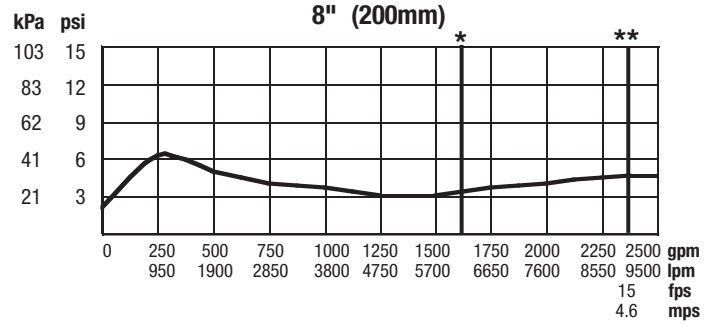
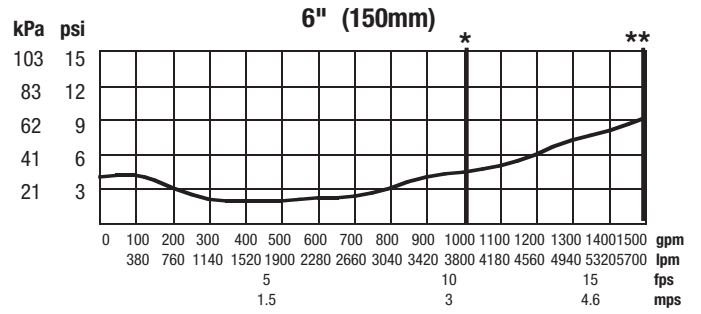
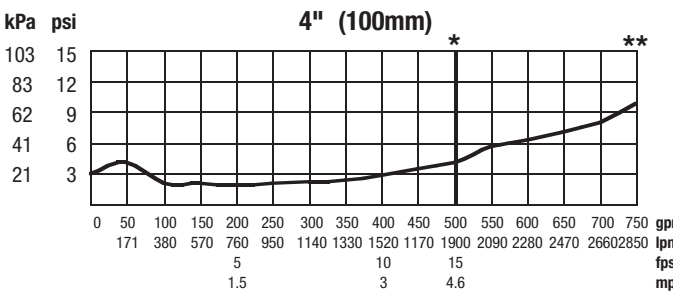
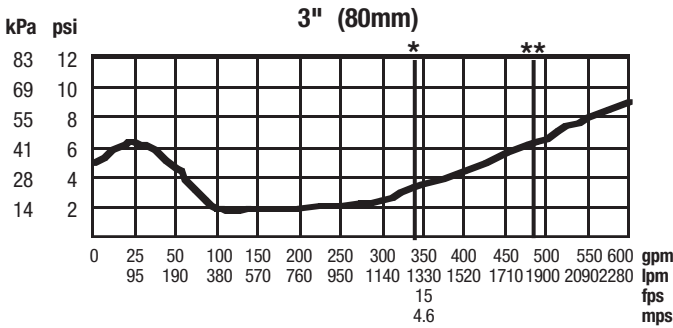
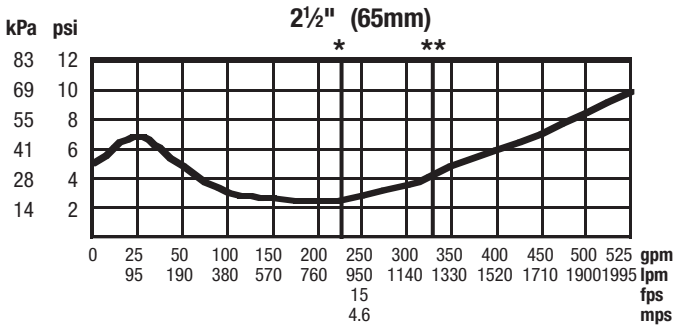
Engineer \_\_\_\_\_ Contractor's P.O. No. \_\_\_\_\_

Approval \_\_\_\_\_ Representative \_\_\_\_\_

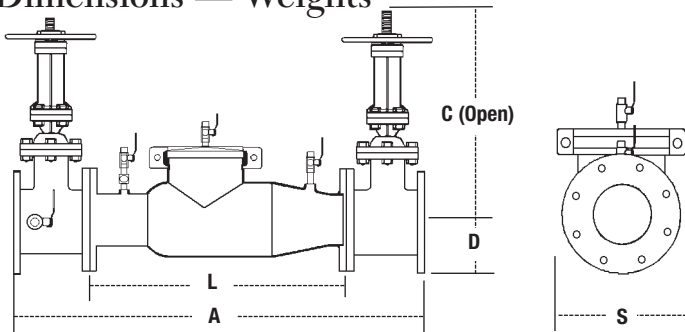
Ames product specifications in U.S. customary units and metric are approximate and are provided for reference only. For precise measurements, please contact Ames Technical Service. Ames reserves the right to change or modify product design, construction, specifications, or materials without prior notice and without incurring any obligation to make such changes and modifications on Ames products previously or subsequently sold.

# Capacities

Rated working pressure 175psi (12.06 bar) \* Rated flow \*\*UL Tested



## Dimensions — Weights



SIZE (DN)		DIMENSIONS								WEIGHT							
in.	mm	A		C (OSY)		C (NRS)		D		L		S		w/Gates		w/o Gates	
		in.	mm	in.	mm	in.	mm	in.	mm	in.	mm	in.	mm	lb.	kg.	lb.	kg.
2 1/2	65	37	965	16 3/8	416	9 3/8	238	3 1/2	89	22	559	7	178	140	64	53	24
3	80	38	965	18 7/8	479	10 1/4	260	3 3/4	95	22	559	7 1/2	191	215	98	55	25
4	100	40	1016	22 3/4	578	12 3/16	310	4 1/2	114	22	559	9	229	225	102	58	26
6	150	48 1/2	1232	30 1/8	765	16	406	5 1/2	140	27 1/2	699	11	279	375	170	105	48
8	200	52 1/2	1334	37 3/4	959	19 15/16	506	6 3/4	171	29 1/2	749	13 1/2	343	561	254	169	77
10	250	55 1/2	1410	45 3/4	1162	23 13/16	605	8	200	29 1/2	749	16	406	763	346	179	81
12	300	57 1/2	1461	53 1/8	1349	26 3/4	679	9 1/2	241	29 1/2	749	19	483	1033	469	209	95



A Division of Watts Regulator Company

www.amesfirewater.com



1427 North Market Blvd. • Suite #9 • Sacramento, CA 95834 • Phone: 916-928-0123 • Fax: 916-928-9333